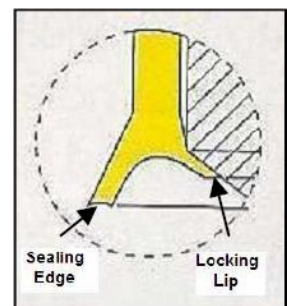


Nut and Bolt Caps



- Designed to protect hex nuts and stud bolt ends from corrosion, thus allowing easy unbolting.
- Eliminates need of a torch for nut removal.
- Keeps out moisture, chemicals, salt spray, and paint build up.
- Moulded from UV, chemical, and weather resistant polyethylene plastic.
- Standard colour is black.
- Simple and easy to install.
- Nearly impossible to knock off.
- Economical and reusable.
- Stock sizes fit heavy hex nuts from 1/2" - 3".
- Maximum temperature of 212°F (100 deg C), 170°F (77 deg C) constant.
- Custom sizes and materials available.
- Fill caps with our corrosion inhibitor grease for added protection.
- Use with our Flange Band Protectors for complete flange protection.



For more information contact:

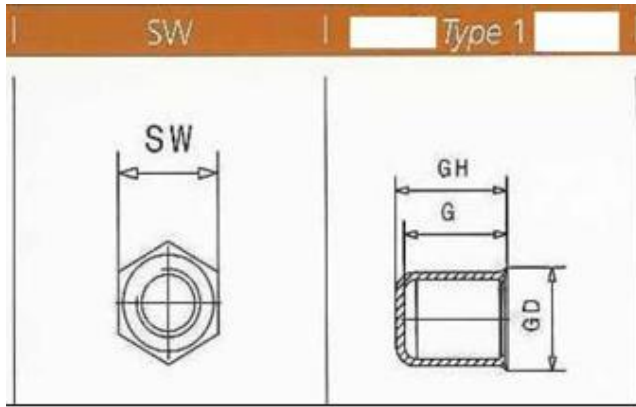
Telephone: 1300 798 279 or +61 8 92511600

Facsimile: +61 (08) 9358 9286

sales@klinger.com.au or visit our web page at

www.klinger.com.au

Nut Cap Sizing Chart



Part Number Legend:

SW = width across flats
(mm)

1 = Type 1 cap

G = Total Height Inside

Example:

SW27 01 G25 for 5/8" stud

SW27 = 27mm across flats

1 = Type 1 Cap

G25 = 25 mm inside height

Bolt Size	Part #
1/2"	SW22-1-G33
5/8"	SW27-1-G30
3/4"	SW32-1-G37
7/8"	SW36-1-G43
1"	SW41-1-G46
1 1/8"	SW46-1-G49
1 1/4"	SW50-1-G51
1 3/8"	SW55-1-G55
1 1/2"	SW60-1-G57
1 5/8"	SW65-1-G61
1 3/4"	SW70-1-G63
1 7/8"	SW75-1-G66
2"	SW80-1-G70
2 1/8"	SW85-1-G74
2 1/4"	SW90-1-G78
2 1/2"	SW100-1-G90
2 3/4"	SW107-1-G91
3"	SW117-1-G100